



**KIOTI**<sup>®</sup>

*run ahead of the pack*



**The Ultimate Transport Vehicle**

**MECHRON**

**2200 / 2230 / 2240**



*Where Work and play  
come Together Meckron*

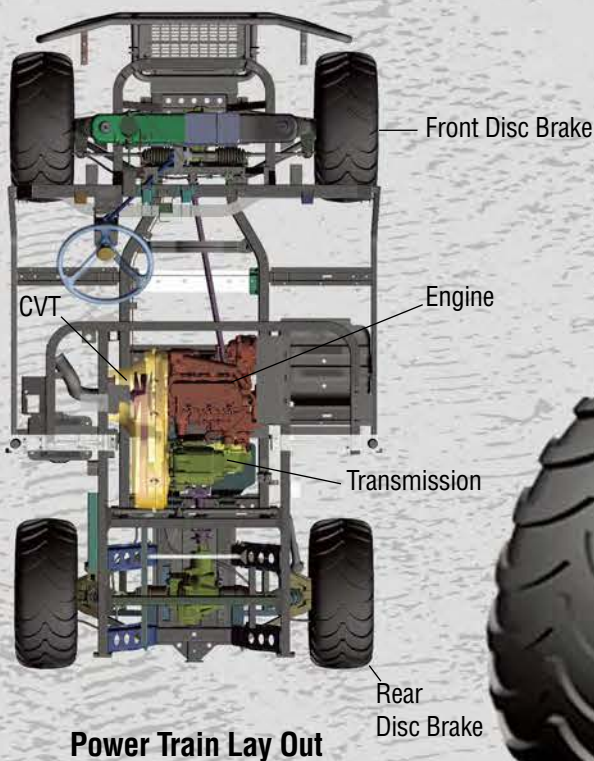


## The Mechron

Whether you need a worker on the farm or a way into the woods, the **KIOTI MECHRON** 4X4 Utility Vehicle gets all your jobs done. With 4-wheel, fully independent, rear dual A-arm suspension and front MacPherson type suspension, the wide track offers increased stability and an exceptionally smooth ride on even rough terrain. The tight turning radius and rear anti-sway bar provides superb cornering and handling. Wherever work or play takes you, you'll have the ultimate 4-wheel drive performance.



# Translating Power into Performance



## Transmission

The MECHRON uses a continuously variable transmission (CVT) and has a time proven Daedong gear box with two speeds, (Hi/Low) and 4WD.

## Adjustable Rear Suspension

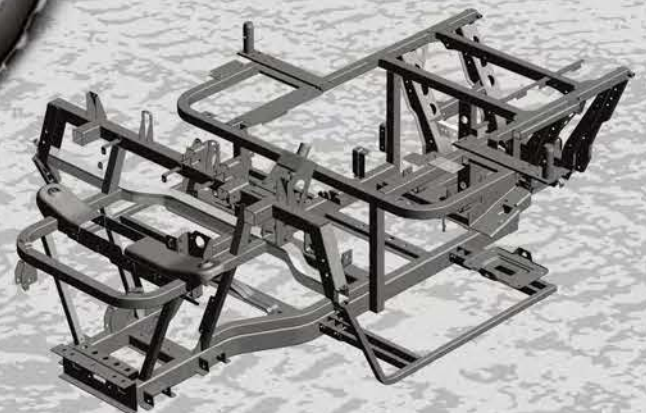
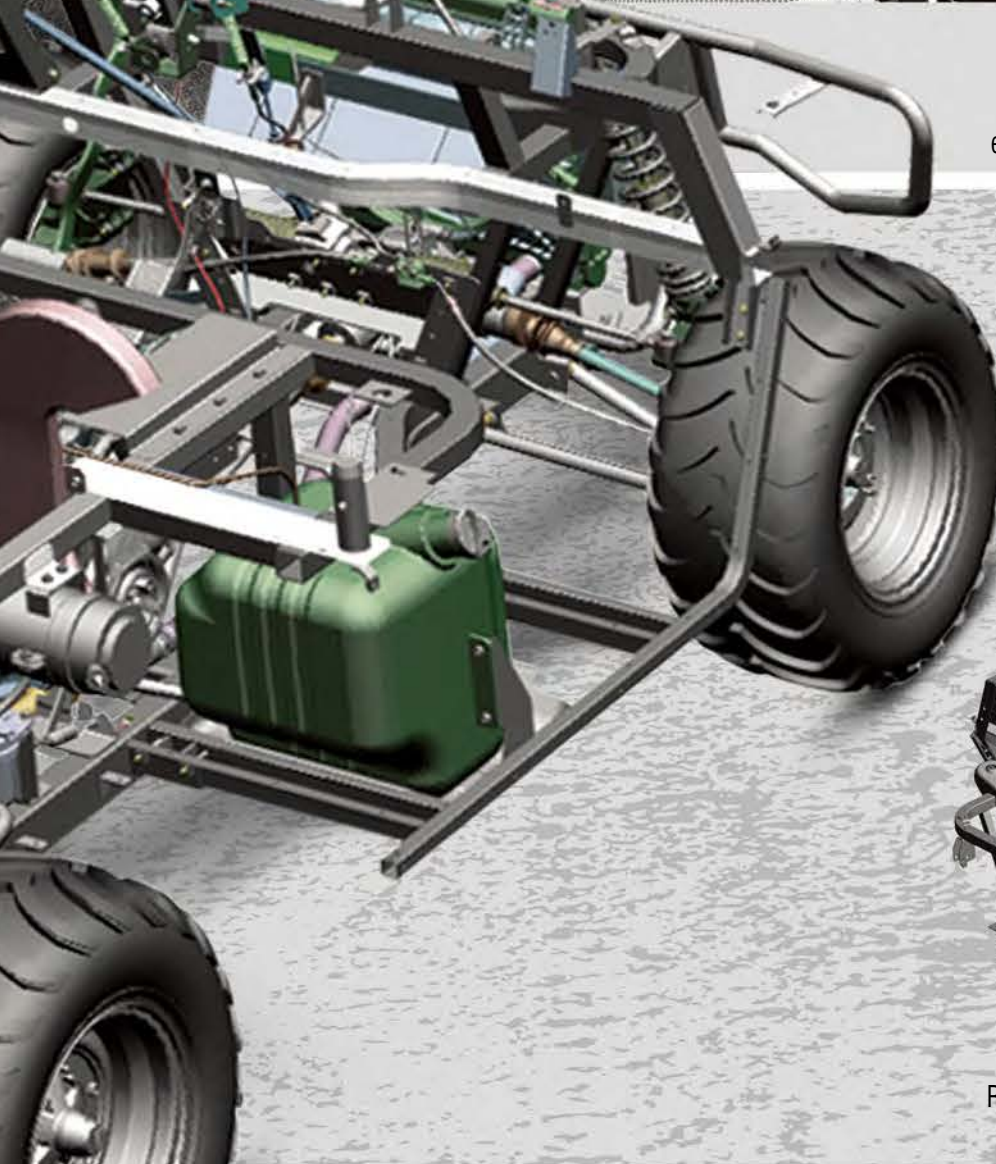
With an adjustable Wishbone type suspension, you can fine tune the MECHRON for the smoothest possible ride whether carrying a load or empty.





### Front Suspension

A MacPherson Strut type suspension ensures the best ride of all the competition while providing the driver excellent road-feel and control.



### Solid Frame

Robust body frame with strong tubular steel and welded ROPS will protect drivers and passengers.

### Brake System

Long lasting front and rear hydraulic disc brakes with a mechanical parking brake provides excellent performance and enhanced safety.

### Engine

The Daedong 3C100LFU (1007cc, 22HP) diesel engine has been field proven for durability and dependability while offering improved fuel economy.





***Balancing weight and performance for full payloads***

### Canopy (Option)

An impact resistant plastic canopy helps to protect the driver and passengers.

### Hood

The sleek design of the reinforced plastic hood provides a strong and dynamic look.



### Cargo Bed

The MECHRON provides excellent payload capabilities and has the widest cargo bed in its class. Add the optional hydraulic dump kit and you can easily place any load where you want it.

### Rear Hitch Receiver

A 2-inch rectangular hitch receiver enables you to attach a trailer and receiver equipped implements.

### Differential Locks

- Front: Limited Slip Differential
- Rear: Mechanically Actuated Differential Lock





***Powerful acceleration  
with a Daedong Diesel Engine***



**Rear Fenders**

Reinforced, molded rear fenders mounted under the bed deck keep you and your MECHRON clean under the muddiest conditions.







### Ground Clearance

Don't get stuck on the trail. With 12 inches of ground clearance, you can easily climb over obstacles.



### Brush Guard

The heavy duty steel brush guard offers protection for the headlights, radiator, and front differential from rocks, tough brush, and other debris on the trail.



### Wheels and Tires

Larger 12-inch wheels and 25-inch tires provide a smooth ride and more ground clearance.



### Shift Levers

An in-line shift makes range selection simple and easy. 4WD selection and rear differential lock are engaged with a single pull knob.



### Storage Compartments

An open dash storage area on the driver side is complemented by a closed dash storage area with a water proof lid on the passenger side.



### Cup Holders

A cup holder on each side is standard with a removable tray for passenger and driver convenience.



## *Power, Strength, Agility, and Comfort*

### Floor

With a flat walk-thru design, the MECHRON has excellent leg and foot room for easy entry and exit.



2-Row seating of the new MECHRON 2240 provides a comfortable environment for 4 people.



*Stretch out on the **Wide bench seat** with room for passengers and the driver*

#### **Dash Board**

With its cockpit-like looks, the ergonomically located controls and instruments allow the driver to view critical functions at a glance.

#### **Bench seat**

With a contoured bench seat that is the widest in its class, the MECHRON offers room to seat three comfortably. Three seat belts are standard for safety.

#### **Standard Instrument Cluster**

Speedometer in MPH(km/hr), hour meter, fuel gauge, coolant temperature gauge, check engine light and turn signal indicators are standard.



# Specifications



ISO 9001  
NO:954596



ISO 14001  
NO:771475



OHSAS 18001  
NO:K033008

MODEL		Mechron2200	Mechron2230	Mechron2240
<b>ENGINE</b>				
Model		3C100LWU		
Type		3Cyl., In-line Vertical, Water-cooled 4-cycle diesel engine		
Engine Gross	HP(KW)	22(16.4)		
Displacement	cu.in.(cc)	61.45(1,007)		
Rated revolution	rpm	2800(6.74kgf-m at 1,900rpm)		
Fuel tank capacity	u.s.gal(ℓ)	7.4(28)		
<b>DRIVE TRAIN</b>				
Type		Belt CVT		
Gear Range		Low, High, Neutral, Reverse		
Ground Speed	mph(km/h)	0-25(0-40)		
Brake		Front/Rear Hyd Dry Caliper Disc		
<b>SUSPENSION</b>				
Front Suspension		Independent, MacPherson Strut type		
Rear Suspension		Independent, Double A-Arm(Wishbone type)		
<b>STEERING</b>				
Type		Hydraulic Power Steering		
<b>DIMENSIONS</b>				
Length	in.(mm)	114.4(2,905)	126.2(3,205)	146.7(3,725)
Width	in.(mm)	60.7(1,543)	60.7(1,543)	60.7(1,543)
Height	in.(mm)	76.4(1,940)	76.4(1,940)	76.4(1,940)
Max Wheel Tread	Front	in.(mm)	49.7(1,262)	49.7(1,262)
	Rear	in.(mm)	49.8(1,264)	49.8(1,264)
Wheelbase	in.(mm)	76.4(1,940)	88.2(2,240)	76.4(2,760)
Weight	lbs.(kg)	1,830(830)	1,858(843)	1,925(873)
Ground Clearance	in.(mm)	12(304)	12(304)	12(304)
Towing Capacity	lbs.(kg)	1,300(590)	1,300(590)	1,300(590)
Payload Capacity	lbs.(kg)	1,598(725)	1,598(725)	1,598(725)
Turning Radius	ft.(m)	13.1(4.0)	14.8(4.5)	17.7(5.4)
<b>CARGO BED</b>				
Length x Width x Depth	in.(mm)	38.6(980)x56.2(1,427) x11.5(293)	50.4(1,280)x56.2(1,427) x11.5(293)	38.6(980)x56.2(1,427) x11.5(293)
Cargo Capacity	lbs.(kg)	1,102(500)		661.5(300)
<b>TIRE SIZE</b>				
Front	Heavy Duty Worksite	25x10-12		
	Turf	25x10-12		
	ATV	25x10-12		
Rear	Heavy Duty Worksite	25x10-12		
	Turf	25x10-12		
	ATV	25x10-12		
Seat Capacity	3 Seat Bench		2 rows (3 Seat Bench type)	
Dump Box Actuation	Manual			
Body Colour	Orange			

\* NOTE: Some option kits are not available at the time of printing. The specifications are subject to change for the purpose of improvement without any notice.

## Standard Equipment

Sun Canopy Kit  
Hydraulic Dumping Kit  
Parking Brake Buzzer Kit  
Front Guard  
Hydraulic Bed Lift  
Speedometer  
Horn

## Optional Equipment

- **CANOPY**  
Wind Shield (Safety Glass With Wiper)  
Wiper Kit
- **HITCH**  
Front Hitch Receiver Kit  
Winch Kit  
Swing Drawbar Kit
- **HYDRAULICS**  
Remote Hydraulic Kit  
Hand Throttle Kit  
Oil-Cooler Kit
- **PROTECTION**  
Skid Plate Kit  
Rear Screen Kit  
Suspension Dust Guard Ki CV Guard Kit
- **ACCESSORIES**  
Safety Lamp Kit  
Fog Lamp Kit  
Working Lamp Kit (ROPS)  
Headrest Kit  
Rear View Mirror Kit  
Side Rail Extension Kit  
License Plate Kit  
Soft Cabin Kit  
Beacon Light Kit



**Kioti Tractor/  
Daedong Industrial. Co., Ltd.**  
1422-5, Seocho-Dong, Seocho-Ku, Seoul, Korea  
tel 82-2-3470-7454~9 • fax 82-2-3470-7485  
web www.daedong.co.kr

Dealer Imprint Area