

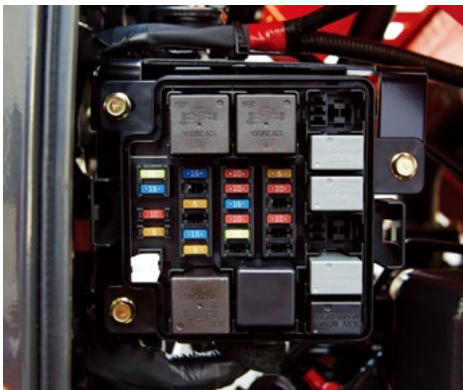
# ***NEW DK SERIES***

***KIOTI VALUABLE COMPACT TRACTOR***



  
**KIOTI**<sup>®</sup>  
*run ahead of the pack*





### FUSE

All-in-one type fuse and relay box will improve the maintainability



### Fender Grip

Armrest type handle grip on the fender will reduce the fatigue especially for the long time driver. It is possible to adjust the fender heights in accordance with the tire size.



### Improved Performance

Improved work capability with high lift capacity(1,232kgf) and big hydraulic pump capacity(55.3l/min)





### Compact Clearance

It is possible to work and make turn at compact greenhouse (Width:8m, Min.height:1.2m)

Outstanding engine torque makes possible to work with 190 inch rotary tiller.

- Weight : 1,550Kg (Reduced the fuel consumption)
- Wheelbase : 1,810mm (Improved towing capacity)

### Convenience

Easy access tool box behind the seat (L380 × W90 × H90)

### Lower Seat

Applied the lower seat(1,040mm) for working at greenhouse and orchard farming

⇒ No more duck your head down  
Height of seat (1,100mm)

### Innovative Design

Center marker on the bonnet

⇒ Improve the linearity while plowing the furrow

Air cylinder support system applied at the bonnet

⇒ For easy maintenance and convenience

### Smooth shift sticks

- Main shift : 2.8 ~ 5.4kgf
- Shuttle : 5.0 ~ 5.5kgf
- Sub-shift : 3.6 ~ 5.0kgf
- PTO shift : 4.6 ~ 5.0kg
- Clutch pedal : 14kgf







### Engine

Low noise and low vibration with ECU control system.

- Noise : 86.8dB (Possible to make a phone call while working)
- Vibration : 1.2 (Less than that of mobile phone)

### Fuel Efficiency

The minimum fuel consumption and the maximum torque rise with extra-high pressure of multi injection system

- Max. 30% low fuel consumption than competitor
- Excellent load adaptability

### Foldable Rear Mirror

No worry for the compact garage with the foldable rear mirror

### Ground Speed

The highest ground speed among the competitors

- The lowest speed : 0.23km/h
- The highest speed : 34.3km/h

### Comfortability

Extra comforts with smartphone holder and big-size cup holder



### Handle

The lowest height of steering wheel (1,410mm) compare to competitors

⇒ Real low profile tractor

The height of steering wheel is 1,475mm

The high technology digital dashboard ensures;

- Better visibility even in the daytime
- The CAN communication from dash to ECU

Most of control buttons are located right in front of the driver for easy control



### H-shuttle

Applied the H-shuttle, the Daedong's unique technology

- No fatigue on your left foot with no-clutch direction change
- Available for H-Shuttle Model

### Exhaust pipe

Fitted the heat dispersal exhaust pipe to protect the plastic greenhouse.

### Control Lever

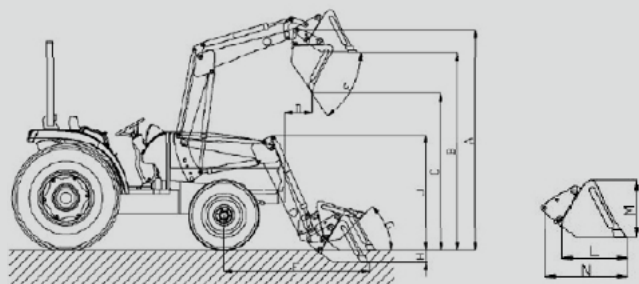
Newly added one touch position control lever makes it easy to lift or lower the implements.





## Front End Loader

The Kioti KL5510 front end loader is specifically designed for the DK-10 series tractors, providing efficient performance with single lever joystick control. The Kioti loader, with a built in parking stand, is designed to be quickly and easily attached and detached. KL Series loaders utilize the tractor's hydraulic system, feature single-lever control with float and come with a bucket level indicator.



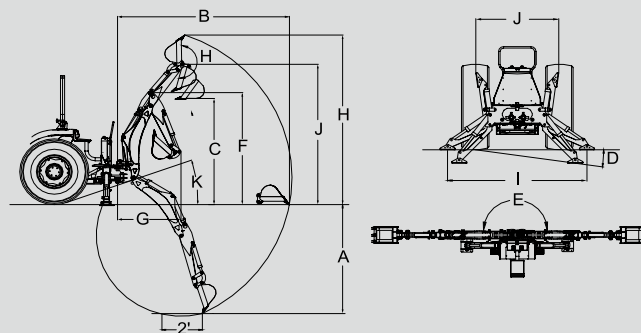
## Loader Specifications

Model	KL5510
A. Maximum Lift Height	109 in (2,768 mm)
B. Clearance w/ Attachment Level	96.4 in (2,449 mm)
C. Clearance w/ Attachment Dumped	81.7 in (2,075 mm)
D. Reach at Maximum Height(45°) Reach at Maximum Height(45°)	18.1 in (460 mm)
E. Maximum Dump Angle	58 °
F. Reach w/ Attachment on Ground	70.9 in (1,800 mm)
G. Maximum Rollback Angle	38.9 °
H. Digging Depth Below Grade	9.1 in (231 mm)
J. Overall Height in Carry Position	57.7 in (1,465 mm)
L. Depth of Attachment (to back of inner shell)	21 in (540 mm)
M. Height of Attachment	29 in (740 mm)
N. Depth of Attachment (to pivot pin)	31.5 in (801 mm)
S. Lift Capacity to Full Height at Pivot Pins	2,827 lbs (1,285 kg)
T. Breakout Force at Pivot Pin	3,814.8 lbs (1,734 kg)
Lift Cylinders	Ø2.2X10.2 in ( Ø65X463l)
Bucket Cylinder	Ø2.4X14.6 in ( Ø60X370l)
Bucket Width	67 in (1,700mm)
Bucket Weight	267.3 lbs (121.5 kg)
Approx. Weight (without Bucket)	1,386 lbs (58.5 kg)
Bucket Capacity (Heaped Bucket Capacity)	66 in : 9.5 cu.ft (14.5cu.ft) 72 in : 10.2 cu.ft (16.0cu.ft)

\*Specifications and design are subject to change without notification.

## Backhoe

The Kioti KB2485 Series backhoe lets you trench up to 94.4" deep with a bucket dig force up to 3,748 pounds. The KB2485 Backhoe feature subframe mounting, responsive two-lever controls with exceptional feathering, hydraulic stabilizers, transport lock and a variety of standard and heavy-duty buckets.



## Backhoe Specifications

Model	KB2485	
A. Digging Depth (two foot flat bottom)	2,400 mm	94.4 "
B. Reach from center line of Swing Pivot	3,460 mm	136.1 "
C. Loading Height (bucket at 60°)	2,040 mm	80.3 "
D. Maximum Leveling Angle	10°	10°
E. Swing Arc	180°	180°
F. Transport Height (maximum)	2,360 mm	92.9"
G. Transport Overhang	1,280 mm	50.4"
H. Bucket Rotation	180°	180°
I. Stabilizer Spread (down position)	1,745 mm	68.7"
J. Stabilizer Spread (up position)	1,180 mm	46.4"
K. Angle of departure	21°	21°
Shipping Weight (without bucket)	500 kg	1,102 lbs
Bucket Digging Force	1,700 kg	3,748 lbs
Dipperstick Digging Force	1,000 kg	2,205 lbs
Operating Pressure	170 bar	2,466 psi

### Cylinders

Cylinder	Bore DIA		Retracted Length		Stroke		Rod DIA	
	mm	inch	mm	inch	mm	inch	mm	inch
Boom	70	2.75	636	25.04	386	15.20	40	1.57
Bucket	60	2.36	630	24.8	395	15.55	35	1.38
Dipperstick	70	2.75	708	27.87	505	19.88	40	1.57
Swing	60	2.36	398	15.67	223	8.78	35	1.38
Stabilizer	60	2.36	446	17.55	262	10.31	35	1.38

### Buckets

Bucket	Teeth Q'TY	Struck Capacity	Heaped Capacity	Shipping Weight
9" Bucket	3	0.73 cu. ft.	0.87 cu. ft.	46 lbs.
12" Bucket	3	1.01 cu. ft.	1.24 cu. ft.	56 lbs.
16" Bucket	3	1.38 cu. ft.	1.76 cu. ft.	64 lbs.
18" Bucket	4	1.56 cu. ft.	2.02 cu. ft.	70 lbs.
24" Bucket	5	2.11 cu. ft.	2.82 cu. ft.	94 lbs.
36" Bucket	6	2.78 cu. ft.	4.00 cu. ft.	114 lbs.

Specifications and design are subject to change without notice.



## Specifications



ISO 9001  
NO.954596



ISO 14001  
NO.771475



OHSAS 18001  
NO.K033008

MODEL		DK4810(HS)	DK5810(HS)
<b>ENGINE</b>			
Model		4B243DL-A1	4B243DTL-A
Engine Max HP @ 2800rpm	hp	48	58
Engine Gross	hp	45	55
Rated revolution	rpm	2600	2600
Total displace	cc	2435	2435
Fuel tank capacity	ℓ	45	45
<b>DRIVE TRAIN</b>			
Clutch		Dry single stage	Dry single stage
Transmission		Manual / H-Shuttle	Manual / H-Shuttle
Speeds		F8/R8	F8/R8
Differential lock		Rear Standard	Rear Standard
Brake		Wet disc	Wet disc
PTO		Hydrostatic, Independent	Hydrostatic, Independent
Rear PTO (standard)	rpm	540 / 750	540 / 750
<b>HYDRAULIC SYSTEM</b>			
Pump capacity (Max.flow rate)	ℓ /min	55.1 (14.56)	55.1 (14.56)
3-point hitch		Cat. I	Cat. I
Maximum lifting capacity (24" aft. of hitch)	kg	1232	1232
Hydraulic lift control system		Position Control	Position Control
Steering		Hydrostatic Power Steering	Hydrostatic Power Steering
<b>TIRE SIZE</b>			
Front INDUSTRIAL		10-16.5	10-16.5
Rear INDUSTRIAL		14.9-24	14.9-24
<b>TRAVELING SPEEDS</b>			
Forward	km/h	2.17 - 27.9	2.17 - 27.9
Reverse	km/h	2.11 - 27.2	2.11 - 27.2
<b>DIMENSIONS</b>			
Overall length(includes 3-pt hitch)	mm(in.)	3157(124.3)	3157(124.3)
Overall width(minimum tread)	mm(in.)	1596(62.8)	1596(62.8)
Overall height(from top of ROPS)	mm(in.)	2246(88.5)	2246(88.5)
Wheel base	mm(in.)	1810(71.3)	1810(71.3)
Min. ground clearance	mm(in.)	368(14.5)	368(14.5)
Tread (Front)	mm(in.)	1254(49.4)	1254(49.4)
Tread (Rear)	mm(in.)	1251(49.3)	1251(49.3)

\* NOTE: The specifications are subject to change for the purpose of improvement without any notice.

## Standard Equipment

- 4WD
- Rear PTO
- AUTO PTO
- Rear View Mirror
- Parking Brake
- Horn
- Head Lamp
- Signal Lamp

## Optional Equipment

- Front Weight
- Rear Weight
- 3 Pin Socket
- 7 Pin Socket
- Power Socket
- Front Work Light
- Rear Work Light
- Fuel Heater
- Sun Canopy
- Front Grille Guard
- Quick Type Lower Link
- Clevis Type Drawbar



**PFG AUSTRALIA**  
199 Australis Drive, Derrimut, VIC 3030 Australia  
• tel 03 8353 3600 • fax 03 8353 3699  
web www.kiotitractors.com.au

Dealer Imprint Area

LIT-DK10-ALL